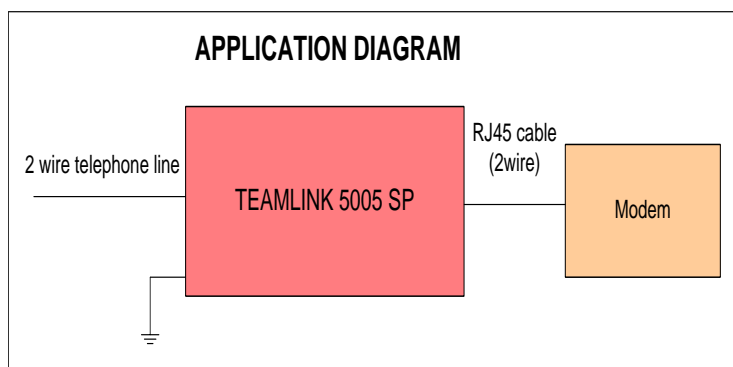


TEAMLINK 5005 SP

DSL LINE PROTECTOR

FEATURES

- It protects two wire DSL line from power surges and lightning
- It attenuates noise/surges
- While attenuating the noise/surge if in the field line current exceeds the pre-determined level, it opens up like a fuse and separates field DSL line reaching the Modem
- Once this severe hostile condition subsides, field DSL automatically gets connected to the Modem i.e., it acts like an automatic resettable fuse between field DSL Line and Modem



TECHNICAL SPECIFICATIONS

- Complies with ITU-T K.20/K.21, IEC 61000-4-5, UL60950
- Protected by Poly resettable switches
- Line side interface : Four way terminal block .
Pin 1&2 -- DSL line
Pin 3&4 -- System Earth
- Modem side interface : RJ 45 connector
Pin 4&5 -- DSL Line
- Insertion loss : < 0.5 db
- Data transmission rate : 2Mbps
- Size : 80x61x33.5 (lwxh)

Note : system earth should be connected to ground to bypass noise